

Pocket Office

A home-office
on demand

Medium, Large

White/Oak



Pocket Office



Material finish options



White/Oak

Sizes

Medium (6ft'), Large (8ft')
Available in single (moving portion only) or double configuration

Features

Roll Out Desk:
6ft" : 48" (4') x 14.5" desk
8ft" : 54" (4.5') x 14.5" desk

When closed, chair is stored within product
30" x 13" standing desk nook (static half)

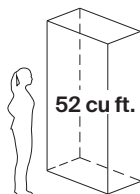
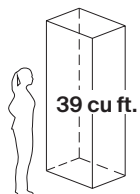
Office nook can accommodate
up to two 27" monitors

Top LED lit office nook on moving half

Media center can accommodate:
6ft" : Up to 55" TV
8ft" : Up to 65" TV

Total Storage (Static Half + Moving Half)

(Medium) 39 cu ft (Large) 52 cu ft

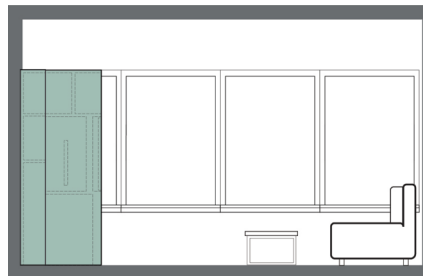


Commute time is linked with happiness, life satisfaction and stress. Offer an in-unit work space for a happier, empowered and stress-free community of residents.

An office that you walk to barefoot ...



...extra room when you're ready to shutdown



Smart Space Technology



Touch Control

The Ori Square let's you effortlessly move the unit at the touch of a button.



App Controlled

Ori app for digital remote + service.



Voice Controlled

Amazon Alexa and Google Home compatible.



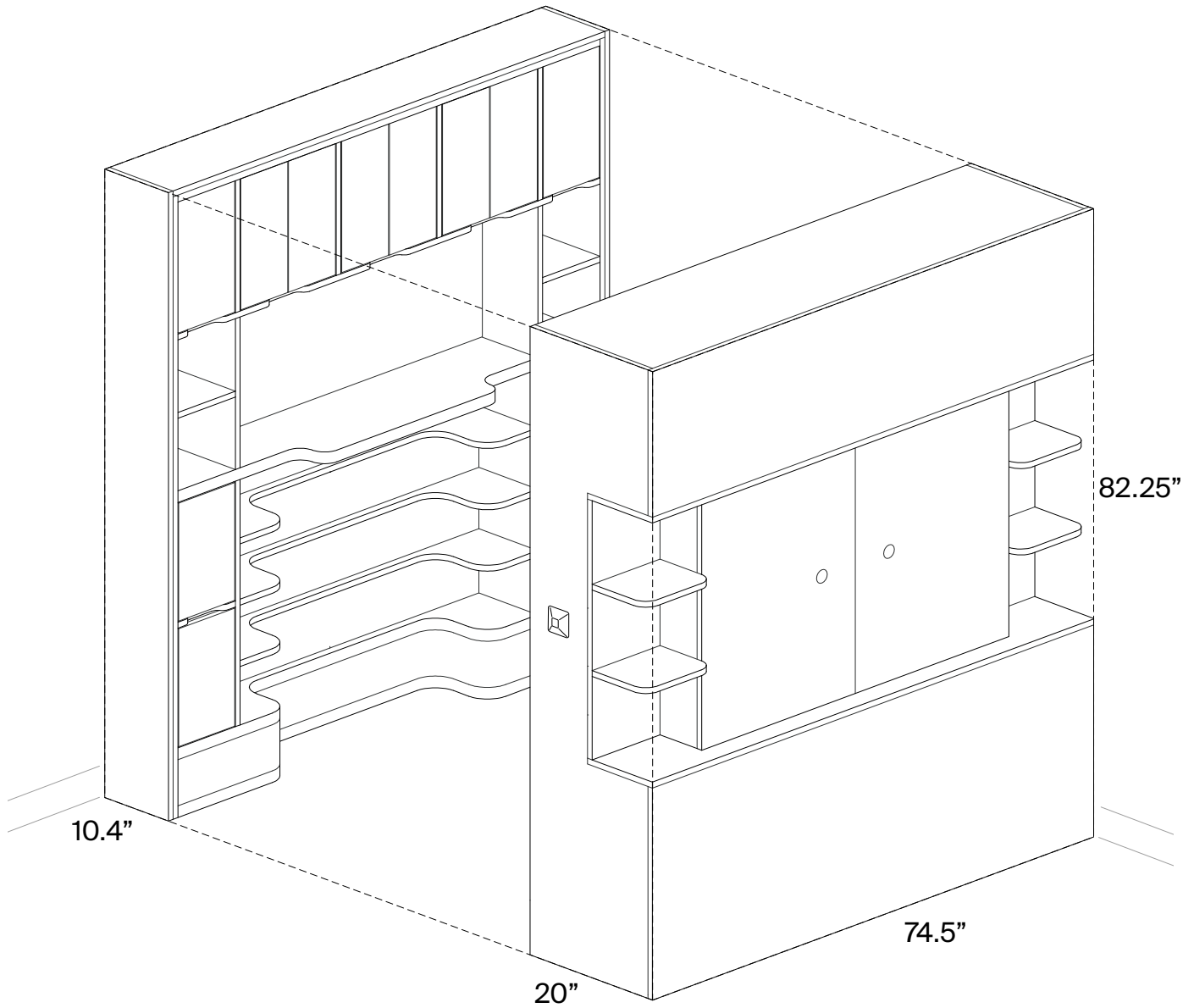
Pocket Office

Room requirements

Size:	Medium (6 ft wide)
Flooring material:	Hard Surface
Levelness:	+/-1°
Power:	Plugs into a standard 120V outlet and 15/20 Amp circuit

Size | Weight

Length:	30.4" (75" when open)
Width:	74.5"
Height:	82.25"
Weight:	595 lbs.



Pocket Office

Room requirements

Size:	Large (8 ft wide)
Flooring material:	Hard Surface
Levelness:	+/-1°
Power:	Plugs into a standard 120V outlet and 15/20 Amp circuit

Size | Weight

Length:	75" (when open)
Width:	98"
Height:	82.25"
Weight:	725 lbs.

